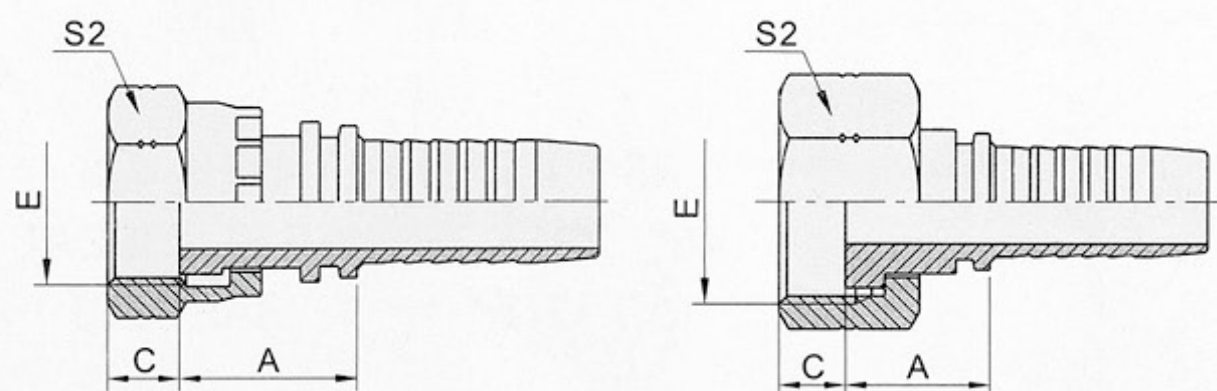


13011

英锥管外螺纹
BSPT MALE

代 号 PART NO.	螺 纹 E THREAD E	软管 HOSE BORE		尺 寸 DIMENSIONS		
		公称内径 DN	标号 DASH	A	C	S1
13011-02-03	R1/8"X28	5	03	22	10	12
13011-02-04	R1/8"X28	6	04	22.5	10	12
13011-04-04	R1/4"X19	6	04	27	14	14
13011-04-05	R1/4"X19	8	05	25	14	14
13011-04-06	R1/4"X19	10	060	27	14	17
13011-06-04	R3/8"X19	6	40	27.5	15	17
13011-06-05	R3/8"X19	8	50	26.5	15	17
13011-06-06	R3/8"X19	10	60	27.5	15	17
13011-06-08	R3/8"X19	12	08	30	15	19
13011-08-06	R1/2"X14	10	06	32.5	18	22
13011-08-08	R1/2"X14	12	08	33	18	22
13011-08-10	R1/2"X14	16	10	36	18	22
13011-08-12	R1/2"X14	20	12	36	18	27
13011-12-08	R3/4"X14	12	08	37	20	27
13011-12-10	R3/4"X14	16	10	38	20	27
13011-12-12	R3/4"X14	20	12	38.5	20	27
13011-12-16	R3/4"X14	25	16	39.5	20	32
13011-16-12	R1"X11	20	12	42.5	24	36
13011-16-16	R1"X11	25	16	43.5	24	36
13011-20-20	R1.1/4"X11	32	20	48	25	46
13011-24-24	R1.1/2"X11	40	24	51.5	26.5	50
13011-32-24	R2"X11	40	24	57	30	65
13011-32-32	R2"X11	50	32	57	30	65

注: 1.表中代号用于编织软管。 2.如需用于缠绕软管代号改为 13012-xx-xx。
Note: 1.For use with braided hoses. 2. If use with spiral hoses, hose fitting series number is 13012-xx-xx.



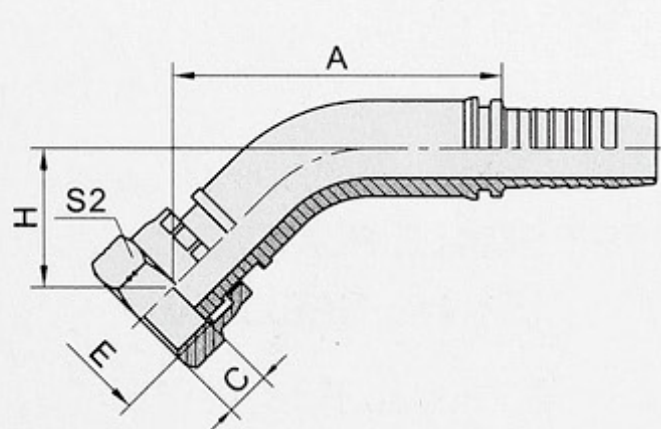
24211

24211-T

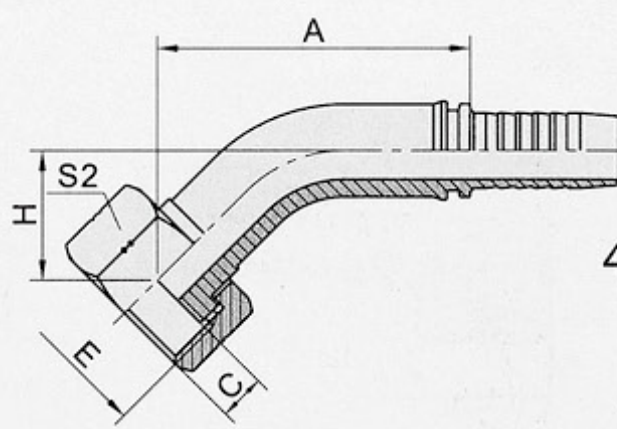
美制 ORFS 内螺纹平面
ORFS FEMALE FLAT SEAT
ISO 12151-1—SAE J516

代号 PART NO.	螺纹 E THREAD E	软管 HOSE BORE		尺寸 DIMENSIONS		
		公称内径 DN	标号 DASH	A	C	S2
24211-04-04	9/16"X18	6	04	22.5	8.5	19
24211-04-05	9/16"X18	8	05	22.5	8.5	19
24211-04-06	9/16"X18	10	06	22.5	8.5	19
24211-06-04T	11/16"X16	6	04	23.5	10	22
24211-06-05T	11/16"X16	8	05	23.5	10	22
24211-06-06	11/16"X16	10	06	25.5	10	22
24211-06-08	11/16"X16	12	08	26	10	22
24211-08-05T	13/16"X16	8	05	25	11	27
24211-08-06T	13/16"X16	10	06	25	11	27
24211-08-08	13/16"X16	12	08	28	11	27
24211-08-10	13/16"X16	16	10	29	11	27
24211-10-08T	1"X14	12	08	29.5	13.5	30
24211-10-10	1"X14	16	10	33.5	13.5	30
24211-10-12	1"X14	20	12	33.5	13.5	30
24211-12-08T	1.3/16"X12	12	08	30.5	15	36
24211-12-10T	1.3/16"X12	16	10	31.5	15	36
24211-12-12	1.3/16"X12	20	12	35	15	36
24211-12-16	1.3/16"X12	25	16	36	15	36
24211-16-12T	1.7/16"X12	20	12	35	14.8	41
24211-16-14T	1.7/16"X12	22	14	34	14.8	41
24211-16-16T	1.7/16"X12	25	16	35	14.8	41
24211-16-20	1.7/16"X12	32	20	39.5	14.8	41
24211-20-16T	1.1/16"X12	25	16	35	15	50
24211-20-20	1.1/16"X12	32	20	39.5	15	50
24211-20-24	1.1/16"X12	40	24	39.5	15	50
24211-24-20T	2"X12	32	20	36	14.8	60
24211-24-24T	2"X12	40	24	36	14.8	60

注： 1. 表中代号用于编织软管。 2. 如需用于缠绕软管代号改为 24212-xx-xx。
Note: 1.For use with braided hoses. 2.If use with spiral hoses, hose fitting series number is 24212-xx-xx.



24241



24241-T

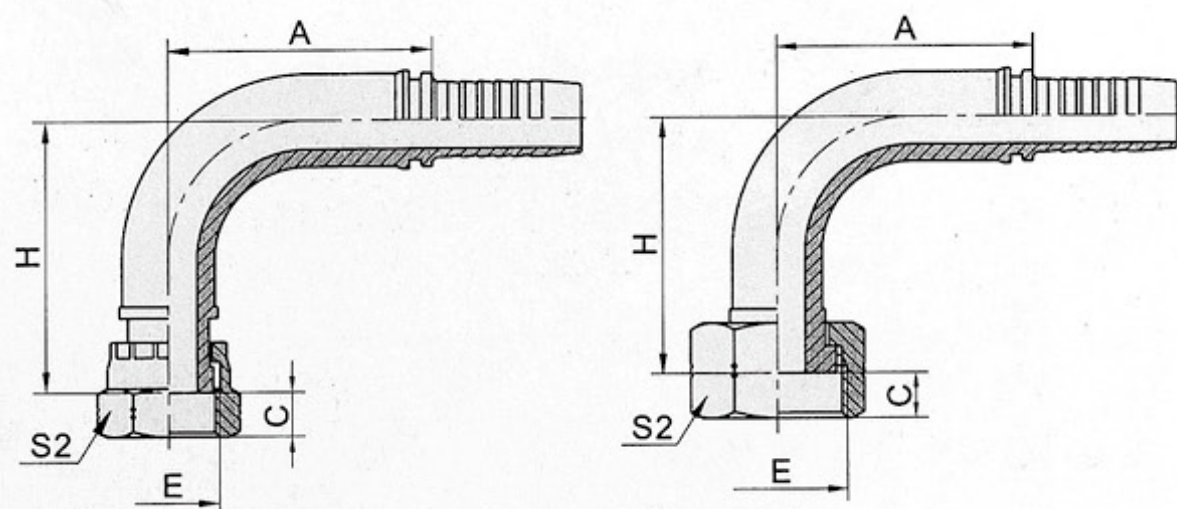
45° 美制 ORFS 内螺纹平面
45° ORFS FEMALE FLAT SEAT
ISO 12151-1 — SAE J516

代号 PART NO.	螺纹 E THREAD E	软管 HOSE BORE		尺寸 DIMENSIONS			
		公称内径 DN	标号 DASH	A	H	C	S2
24291-04-04	9/16"X18	6	04	45.5	23.4	8.5	19
24241-04-05	9/16"X18	8	05	47.6	23.4	8.5	19
24241-04-06	9/16"X18	10	06	49.2	24.9	8.5	19
24241-06-04	11/16"X16	6	04	39.5	17.4	10	22
24241-06-05T	11/16"X16	8	05	42.3	19	10	22
24241-06-06	11/16"X16	10	06	51.7	27.4	10	22
21241-06-08	11/16"X16	12	08	63.9	29	10	22
24241-08-06T	13/16"X16	10	06	44.6	20.3	11	27
24241-08-08	13/16"X16	12	08	65.3	30.4	11	27
24241-08-10	13/16"X16	16	10	76.5	31.7	11	27
24241-10-08T	1"X14	12	08	58.2	23.3	13.5	30
24241-10-10	1"X14	16	10	79.7	34.9	13.5	30
24241-10-12	1"X14	20	12	86.5	38.4	15	30
24241-12-08T	1.3/16"X12	12	08	58.2	23.3	15	36
24241-12-10T	1.3/16"X12	16	10	69.4	24.6	15	36
24241-12-12	1.3/16"X12	20	12	87.6	39.5	15	36
24241-12-16	1.3/16"X12	25	16	95.3	41	15	36
24241-16-12T	1.7/16"X12	20	12	74	29.6	14.8	41
24241-16-14T	1.7/16"X12	22	14	78.4	28.5	14.8	41
24241-16-16T	1.7/16"X12	25	16	84.1	29.7	14.8	41
24241-16-20	1.7/16"X12	32	20	103.8	46.1	14.8	41
24241-20-16T	1.11/16"X12	25	16	80.9	32.7	15	50
24241-20-20	1.11/16"X12	32	20	111.2	49	15	50
24241-20-24	1.11/16"X12	40	24	123.6	52.9	15	50
24241-24-20T	2"X12	32	20	94.5	33.8	14.8	60
24241-24-24T	2"X12	40	24	108.5	37.7	14.8	60

注: 1. 表中代号用于编织软管。

2. 如需用于缠绕软管代号改为 24242-xx-xx。

Note: 1. For use with braided hoses. 2. If use with spiral hoses, hose fitting series number is 24242-xx-xx.



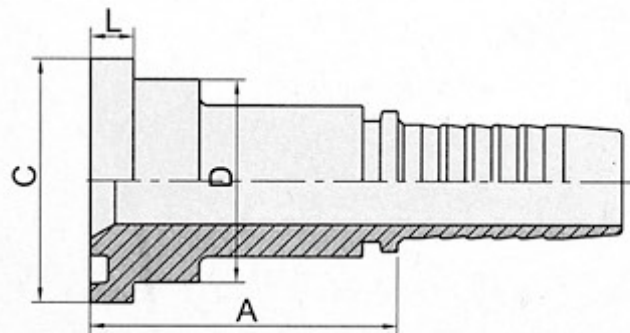
24291

24291-T

90° 美制 ORFS 内螺纹平面
 90° ORFS FEMALE FLAT SEAT
 ISO 12151-1 — SAE J516

代号 PART NO.	螺纹 E THREAD E	软管 HOSE BORE		尺寸 DIMENSIONS			
		公称内径 DN	标号 DASH	A	H	C	S2
24291-04-04	9/16"X18	6	04	30	41	8.5	19
24291-04-05	9/16"X18	8	05	33	44	8.5	19
24291-04-06	9/16"X18	10	06	35.3	46.3	8.5	19
24291-06-05T	11/16"X16	8	05	33	37.5	10	22
24291-06-06	11/16"X16	10	06	35.3	49.8	10	22
24291-06-08	11/16"X16	12	08	41	55	10	22
24291-08-06T	13/16"X16	10	06	35.3	39.8	11	27
24291-08-08	13/16"X16	12	08	41	57	11	27
24291-08-10	13/16"X16	16	10	56.5	61.5	11	27
24291-10-08T	1"X14	12	08	41	46	13.5	30
24291-10-10	1"X14	16	10	56.5	66	13.5	30
24291-10-12	1"X14	20	12	65.5	75.5	13.5	30
24291-12-10T	1.3/16"X12	16	10	56.5	51.5	15	36
24291-12-12	1.3/16"X12	20	12	65.5	77	15	36
24291-12-16	1.3/16"X12	25	16	76.7	83.5	15	36
24291-16-12T	1.7/16"X12	20	12	65.5	63	14.8	41
24291-16-14T	1.7/16"X12	22	14	71.2	63	14.8	41
24291-16-16T	1.7/16"X12	25	16	76.9	67.5	14.8	41
24291-16-20T	1.7/16"X12	32	20	91.5	96	14.8	41
24291-20-16T	1.11/16"X12	25	16	76.7	67.5	15	50
24291-20-20	1.11/16"X12	32	20	93	100	15	50
24291-20-24	1.11/16"X12	40	24	109.4	113.5	15	50
24291-24-20T	2"X12	32	20	91.5	78.5	14.8	60
24291-24-24T	2"X12	40	24	109.4	92	14.8	60

注: 1. 表中代号用于编织软管。 2. 如需用于缠绕软管代号改为 24292-xx-xx。
 Note: 1. For use with braided hoses. 2. If use with spiral hoses, hose fitting series number is 24292-xx-xx.



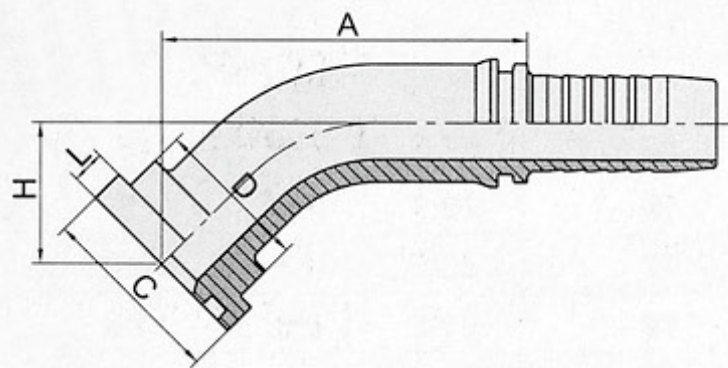
87311

SAE 法兰 3000 PSI
SAE FLANGE 3000 PSI
ISO 12151-3—SAE J516

代号 PART NO.	法兰型号 FLANGE SIZE	软管 HOSE BORE		尺寸 DIMENSIONS			
		公称内径 DN	标号 DASH	A	C	D	L
87311-08-08	1/2"	12	08	46	30.2	24	6.73
87311-12-08	3/4"	12	08	47	38.1	31.7	6.73
87311-12-10	3/4"	16	10	48	38.1	31.7	6.73
87311-12-12	3/4"	20	12	48	38.1	31.7	6.73
87311-12-16	3/4"	25	16	49	38.1	31.7	6.73
87311-16-12	1"	20	12	51	44.4	38	8
87311-16-16	1"	25	16	52	44.4	38	8
87311-16-20	1"	32	20	53	44.4	38	8
87311-20-16	1.1/4"	25	16	57	50.8	43	8
87311-20-20	1.1/4"	32	20	58	50.8	43	8
87311-24-20	1.1/2"	32	20	68	60.3	50	8
87311-24-24	1.1/2"	40	24	68	60.3	50	8
87311-32-24	2"	40	24	70	71.4	62	9.53
87311-32-32	2"	50	32	70	71.4	62	9.53

注: 1.表中代号用于编织软管。 2.如需用于缠绕软管代号改为87312-xx-xx。

Note: 1.For use with braided hoses. 2.If use with spiral hoses, hose fitting series number is 87312-xx-xx.



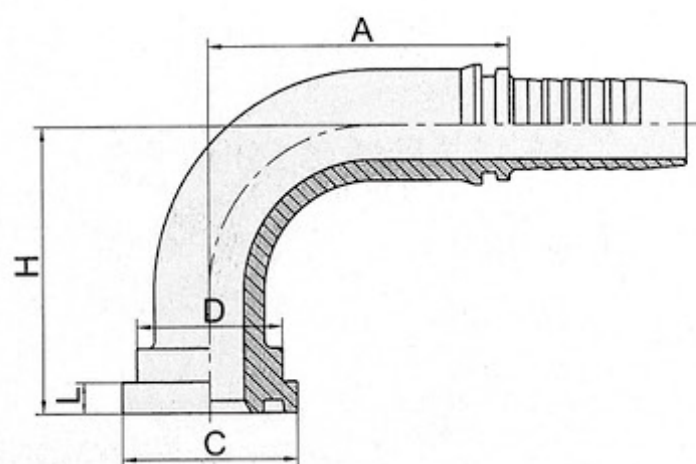
87341

45° SAE 法兰 3000 PSI
45° SAE FLANGE 3000 PSI
ISO 12151-3—SAE J516

代号 PART NO.	法兰型号 FLANGE SIZE	软管 HOSE BORE		尺寸 DIMENSIONS				
		公称内径 DN	标号 DASH	A	C	D	H	L
87341-08-08	1/2"	12	08	58.2	30.2	24	23.3	6.73
87341-12-10	3/4"	16	10	70.1	38.1	31.7	25.3	6.73
87341-12-12	3/4"	20	12	77	38.1	31.7	28.9	6.73
87341-16-16	1"	25	16	85.2	44.4	38	29.7	8
87341-20-16	1.1/4"	25	16	85.2	50.8	43	29.7	8
87341-20-20	1.1/4"	32	20	94.5	50.8	43	33.8	8
87341-24-24	1.1/2"	40	24	109.9	60.3	50	39.1	8
87341-32-32	2"	50	32	129.3	71.4	62	46.3	9.53

注: 1.表中代号用于编织软管。 2.如需用于缠绕软管代号改为 87342-xx-xx。

Note: 1.For use with braided hoses. 2.If use with spiral hoses, hose fitting series number is 87342-xx-xx.

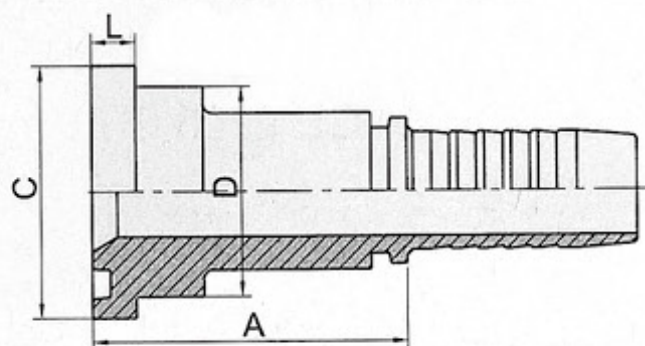


87391

90° SAE 法兰 3000 PSI
90° SAE FLANGE 3000 PSI
ISO 12151-3—SAE J516

代号 PART NO.	法兰型号 FLANGE SIZE	软管 HOSE BORE		尺寸 DIMENSIONS				
		公称内径 DN	标号 DASH	A	C	D	H	L
87391-08-08	1/2"	12	08	41	30.2	24	47	6.73
87391-12-08	3/4"	12	08	41	38.1	31.7	48	6.73
87391-12-10	3/4"	16	10	54.7	38.1	31.7	52.5	6.73
87391-12-12	3/4"	20	12	65.5	38.1	31.7	62	6.73
87391-16-12	1"	20	12	65.5	44.4	38	62	8
87391-16-16	1"	25	16	78	44.4	38	67.5	8
87391-20-16	1.1/4"	25	16	78	50.8	43	67.5	8
87391-20-20	1.1/4"	32	20	91.5	50.8	43	78.5	8
87391-24-20	1.1/2"	32	20	91.5	60.3	50	80.5	8
87391-24-24	1.1/2"	40	24	109.4	60.3	50	94	8
87391-32-24	2"	40	24	109.4	71.4	62	94	9.53
87391-32-32	2"	50	32	131.8	71.4	62	114.3	9.53

注: 1.表中代号用于编织软管。 2.如需用于缠绕软管代号改为87392-xx-xx。
Note: 1.For use with braided hoses. 2.If use with spiral hoses, hose fitting series number is 87392-xx-xx.

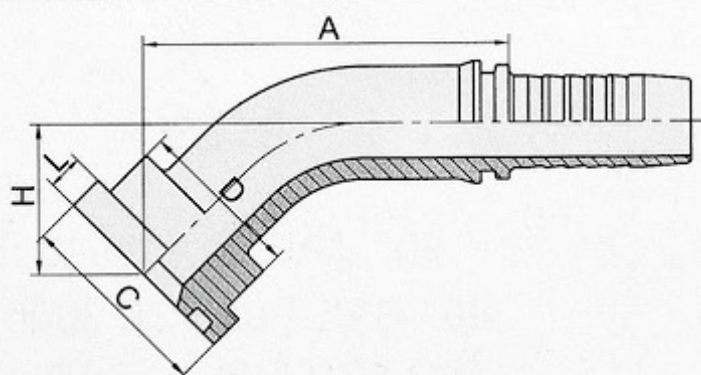


87611

SAE 法兰 6000 PSI
SAE FLANGE 6000 PSI
ISO 12151-3—SAE J516

代号 PART NO.	法兰型号 FLANGE SIZE	软管 HOSE BORE		尺寸 DIMENSIONS			
		公称内径 DN	标号 DASH	A	C	D	L
87611-08-08	1/2"	12	08	47	31.7	24	7.75
87611-12-10	3/4"	16	10	51	41.3	32	8.76
87611-12-12	3/4"	20	12	51	41.3	32	8.76
87611-16-12	1"	20	12	56	47.6	38	9.53
87611-16-16	1"	25	16	57	47.6	38	9.53
87611-20-16	1.1/4"	25	16	65	54	44	10.29
87611-20-20	1.1/4"	32	20	66	54	44	10.29
87611-24-20	1.1/2"	32	20	75	63.5	51	12.57
87611-24-24	1.1/2"	40	24	75	63.5	51	12.57
87611-32-24	2"	40	24	85	79.4	67	12.57
87611-32-32	2"	50	32	85	79.4	67	12.57

注: 1.表中代号用于编织软管。 2.如需用于缠绕软管代号改为 87612-xx-xx。
Note: 1.For use with braided hoses. 2.If use with spiral hoses, hose fitting series number is 87612-xx-xx.

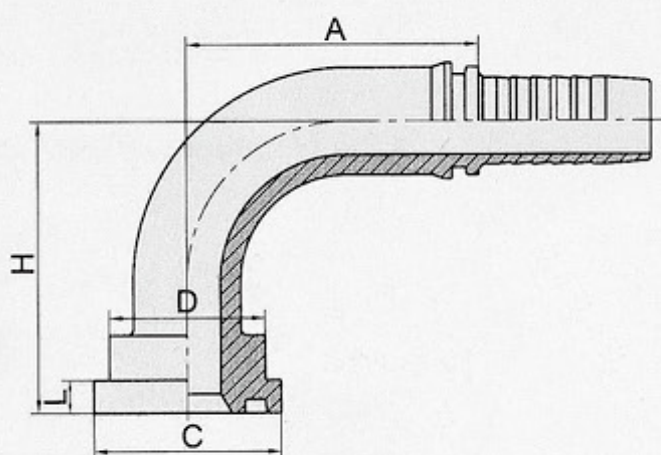


87641

45° SAE 法兰 6000 PSI
45° SAE FLANGE 6000 PSI
ISO 12151-3—SAE J516

代号 PART NO.	法兰型号 FLANGE SIZE	软管 HOSE BORE		尺寸 DIMENSIONS				
		公称内径 DN	标号 DASH	A	C	D	H	L
87641-08-08	1/2"	12	08	58.9	31.7	24	24	7.75
87641-08-12	1/2"	20	12	74.9	31.7	24	27.5	7.75
87641-12-10	3/4"	16	10	72.5	41.3	32	28.2	8.76
87641-12-12	3/4"	20	12	78.7	41.3	32	31.8	8.76
87641-16-16	1"	25	16	90.2	47.6	38	34.7	9.53
87641-20-20	1.1/4"	32	20	102.2	54	44	41.5	10.29
87641-24-20	1.1/2"	32	20	105.8	63.5	51	45.1	12.57
87641-24-24	1.1/2"	40	24	119.7	63.5	51	49	12.57
87641-32-24	2"	40	24	125.7	79.4	67	54.7	12.57
87641-32-32	2"	50	32	144.9	79.4	67	61.9	12.57

注: 1.表中代号用于编织软管。 2.如需用于缠绕软管代号改为87642-xx-xx。
Note: 1.For use with braided hoses. 2.If use with spiral hoses, hose fitting series number is 87642-xx-xx.

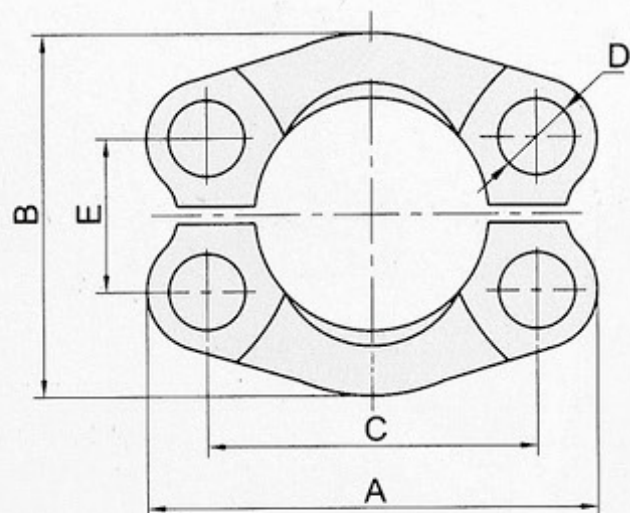


87691

90° SAE 法兰 6000PSI
90° SAE FLANGE 6000 PSI
ISO 12151-3—SAE J516

代号 PART NO.	法兰型号 FLANGE SIZE	软管 HOSE BORE		尺寸 DIMENSIONS				
		公称内径 DN	标号 DASH	A	C	D	H	L
87691-08-08	1/2"	12	08	41	31.7	24	48	7.75
87691-12-10	3/4"	16	10	56.5	41.3	32	56.5	8.76
87691-12-12	3/4"	20	12	65	41.3	32	66	8.76
87691-16-12	1"	20	12	65	47.6	38	69	9.53
87691-16-16	1"	25	16	78	47.6	38	74.5	9.53
87691-16-20	1"	32	20	91.5	47.6	38	85.5	9.53
87691-20-16	1.1/4"	25	16	78	54	44	78.5	10.29
87691-20-20	1.1/4"	32	20	91.5	54	44	89.5	10.29
87691-24-20	1.1/2"	32	20	91.5	63.5	51	94.5	12.57
87691-24-24	1.1/2"	40	24	109.4	63.5	51	108	12.57
87691-32-24	2"	40	24	109.4	79.4	67	116	12.57
87691-32-32	2"	50	32	131.8	79.4	67	136.3	12.57

注: 1.表中代号用于编织软管。 2.如需用于缠绕软管代号改为 87692-xx-xx。
Note: 1.For use with braided hoses. 2.If use with spiral hoses, hose fitting series number is 87692-xx-xx.

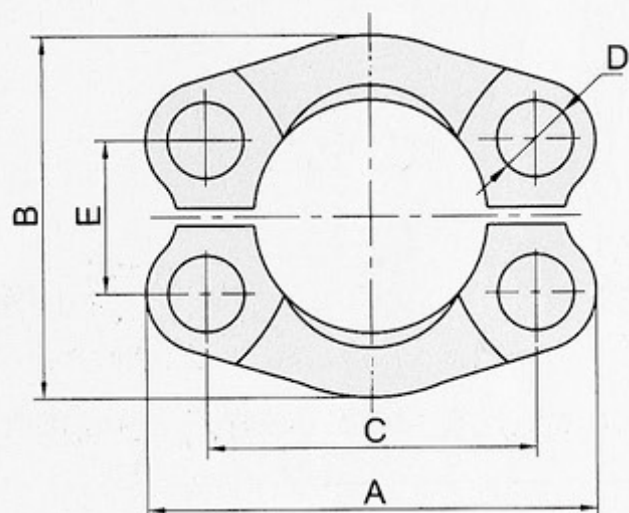


FL

SAE 对开法兰夹 3000 PSI
SAE SPLIT FLANGE CLAMPS 3000 PSI
ISO 6162—SAE J518

代号 PART NO.	法兰型号 FLANGE SIZE	尺寸 DIMENSIONS					螺栓 BOLT	压力等级 MPa
		A	B	C	D	E		
FL-08	1/2"	54	45.6	38.1	9	17.5	M8X25	34.5
FL-12	3/4"	65	51.8	47.6	11	22.2	M10X30	
FL-16	1"	70	58.4	52.4	11	26.2	M10X30	
FL-20	1.1/4"	79.5	72.6	58.7	11	30.2	M10X30	27.6
FL-24	1.1/2"	93.7	82.2	69.9	13.5	35.7	M12X35	20.7
FL-32	2"	102	96.4	77.8	13.5	42.9	M12X35	

注：螺栓需另订。
Note: Bolt should be ordered another.



FS

SAE 对开法兰夹 6000 PSI
SAE SPLIT FLANGE CLAMPS 6000 PSI
ISO 6162—SAE J518

代号 PART NO.	法兰型号 FLANGE SIZE	尺寸 DIMENSIONS					螺栓 BOLT	压力等级 MPa
		A	B	C	D	E		
FS-08	1/2"	56	49.2	40.5	9	18.2	M8X30	42
FS-12	3/4"	71	61.8	50.8	11	23.8	M10X35	
FS-16	1"	81	71.4	57.2	13	27.8	M12X45	
FS-20	1.1/4"	95	79.2	66.7	15	31.8	M14X50	
FS-24	1.1/2"	113	96.8	79.4	17	36.6	M16X55	
FS-32	2"	133	116	96.8	21	44.4	M20X70	

注：螺栓需另订。
Note: Bolt should be ordered another.