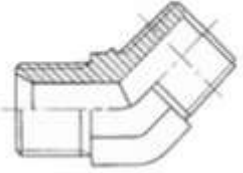
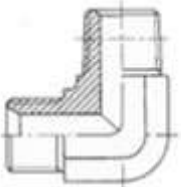

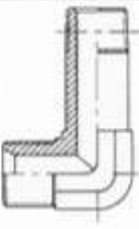

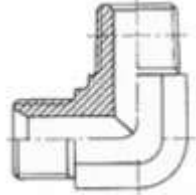
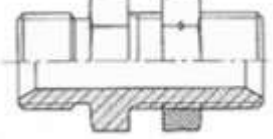
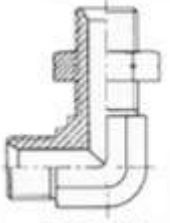
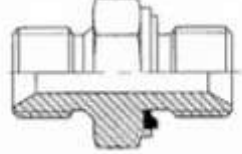
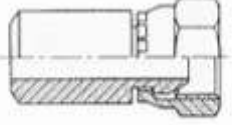
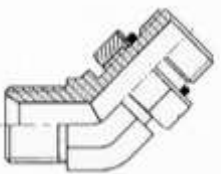
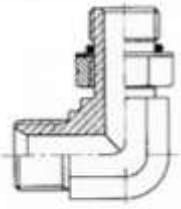
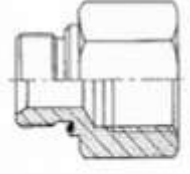

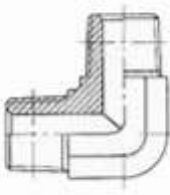


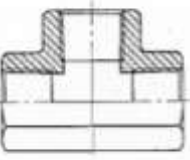
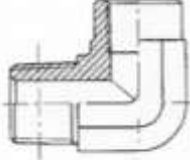
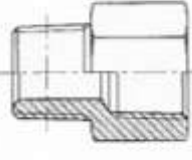
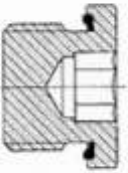

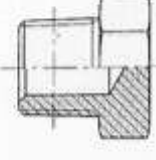
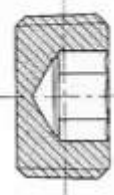
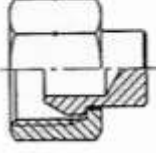
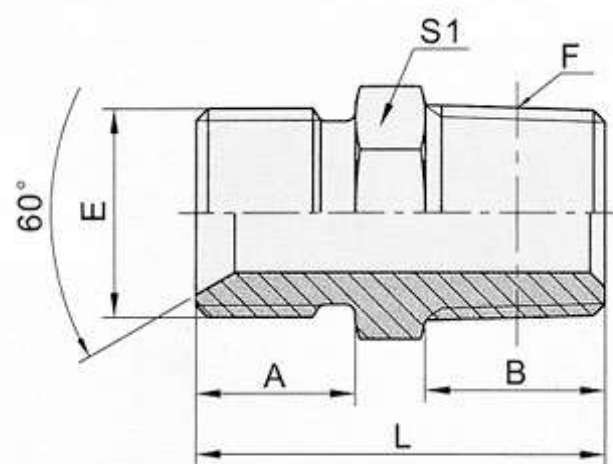
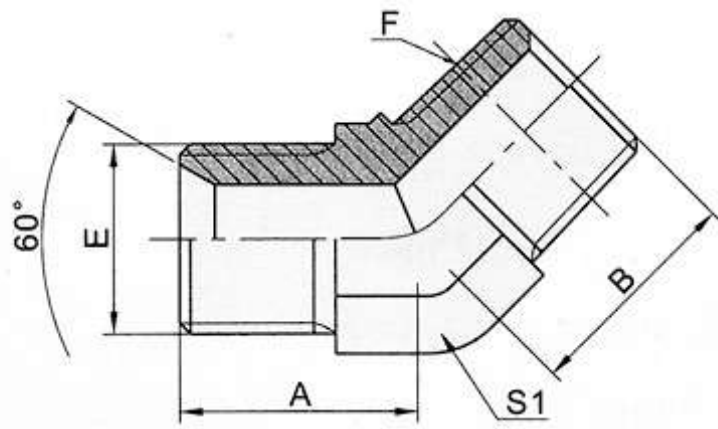
 1BT P36	 1BT4 P37	 1BT9 P38	 1BT-L P39	 1BT9-L P39	 1BN P40
 1BN9 P40	 6B-LN P41	 6B9-LN P41	 1B-WD P42	 2WB P42	 1BG4-OG P43
 1BG9-OG P43	 5B-WD P44	 1T P45	 1T9 P45	 7T P46	 7T9 P46
 GT P47	 5T9 P47	 5T P48	 4BN-WD P49	 4B-WD P49	 4T P50
 4TN P50	 9B P51				



1BT-SP

英管外螺纹60° 内锥/英锥管外螺纹
BSP MALE DOUBLE USE FOR 60° SEAT /BSPT MALE

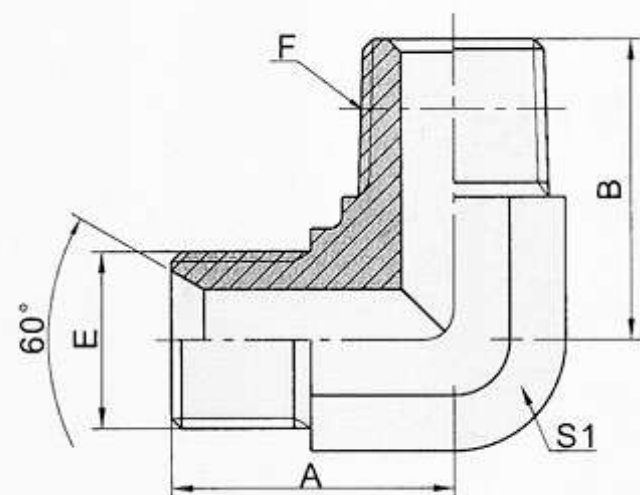
代号 PART NO.	螺纹 THREAD		尺寸 DIMENSIONS				
	E	F	A	B	L	S1	
1BT-02	G1/8"X28	R1/8"X28	10	10	26	14	
1BT-04-02	G1/4"X19	R1/8"X28	12	10	28	14	
1BT-04	G1/4"X19	R1/4"X19	12	14	32	14	
1BT-04-06	G1/4"X19	R3/8"X19	12	15	33	17	
1BT-04-08	G1/4"X19	R1/2"X14	12	18	38	22	
1BT-06	G3/8"X19	R3/8"X19	13.5	15	34.5	17	
1BT-06-04	G3/8"X19	R1/4"X19	13.5	14	33.5	17	
1BT-06-08	G3/8"X19	R1/2"X14	13.5	18	40	22	
1BT-08	G1/2"X14	R1/2"X14	16	18	42	22	
1BT-08-04	G1/2"X14	R1/4"X19	16	14	38	22	
1BT-08-06	G1/2"X14	R3/8"X19	16	15	40	22	
1BT-08-12	G1/2"X14	R3/4"X14	16	20	45	27	
1BT-10-06	G5/8"X14	R3/8"X19	17.5	15	41	24	
1BT-10-08	G5/8"X14	R1/2"X14	17.5	18	44	24	
1BT-10-12	G5/8"X14	R3/4"X14	17.5	20	47	27	
1BT-12	G3/4"X14	R3/4"X14	18.5	20	48	27	
1BT-12-08	G3/4"X14	R1/2"X14	18.5	18	47	27	
1BT-12-16	G3/4"X14	R1"X11	18.5	24	53	36	
1BT-12-20	G3/4"X14	R1.1/4"X11	18.5	25	56	46	
1BT-16	G1"X11	R1"X11	20.5	24	55	36	
1BT-16-12	G1"X11	R3/4"X14	20.5	20	51	36	
1BT-16-20	G1"X11	R1.1/4"X11	20.5	25	58	46	
1BT-20	G1.1/4"X11	R1.1/4"X11	20.5	25	58	46	
1BT-20-12	G1.1/4"X11	R3/4"X14	20.5	20	53	46	
1BT-20-16	G1.1/4"X11	R1"X11	20.5	24	58	46	
1BT-20-24	G1.1/4"X11	R1.1/2"X11	20.5	26.5	63	50	
1BT-24	G1.1/2"X11	R1.1/2"X11	23	26.5	64	50	
1BT-24-16	G1.1/2"X11	R1"X11	23	24	63	50	
1BT-24-20	G1.1/2"X11	R1.1/4"X11	23	25	63	50	



1BT4-SP

45° 弯英管外螺纹60° 内锥/英锥管外螺纹
45° ELBOW BSP MALE 60° SEAT/BSPT MALE

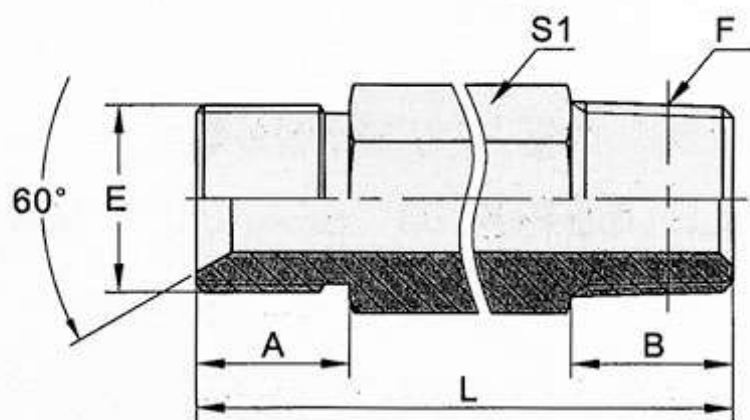
代号 PART NO.	螺纹 THREAD		尺寸 DIMENSIONS				
	E	F	A	B	S1		
1BT4-04	G1/4"X19	R1/4"X19	20.3	21	14		
1BT4-04-06	G1/4"X19	R3/8"X19	20.5	23	17		
1BT4-06	G3/8"X19	R3/8"X19	22	23	17		
1BT4-06-04	G3/8"X19	R1/4"X19	22	21	17		
1BT4-06-08	G3/8"X19	R1/2"X14	24	28	22		
1BT4-08	G1/2"X14	R1/2"X14	27	28	22		
1BT4-08-06	G1/2"X14	R3/8"X19	27	25	22		
1BT4-08-12	G1/2"X14	R3/4"X14	28.5	30.5	27		
1BT4-10-08	G5/8"X14	R1/2"X14	28.5	28	22		
1BT4-10-12	G5/8"X14	R3/4"X14	29	32	27		
1BT4-12	G3/4"X14	R3/4 X14	31	30.5	27		
1BT4-12-08	G3/4"X14	R1/2"X14	31	30	27		
1BT4-12-16	G3/4"X14	R1"X11	32.5	37	33		
1BT4-16	G1"X11	R1"X11	35	37	33		
1BT4-16-12	G1"X11	R3/4"X14	35	32.5	33		
1BT4-16-20	G1"X11	R1.1/4"X11	38.5	42	38		
1BT4-20	G1.1/4"X11	R1.1/4"X11	38.5	42	38		
1BT4-20-16	G1.1/4"X11	R1"X11	38.5	42	38		
1BT4-20-24	G1.1/4"X11	R1.1/2"X11	41.5	47	47		
1BT4-24	G1.1/2"X11	R1.1/2"X11	44	47	47		
1BT4-24-20	G1.1/2"X11	R1.1/4"X11	44	45.5	47		



1BT9-SP

90° 弯英管外螺纹60° 内锥/英锥管外螺纹
90° ELBOW BSP MALE 60° SEAT / BSPT MALE

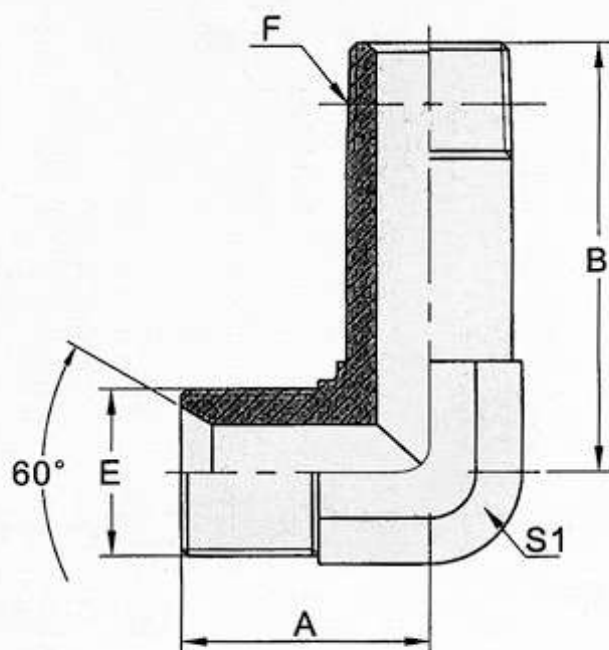
代号 PART NO.	螺纹 THREAD		尺寸 DIMENSIONS				
	E	F	A	B	S1		
1BT9-04	G1/4"X19	R1/4"X19	24.5	25.5	14		
1BT9-04-02	G1/4"X19	R1/8"X28	25	23	14		
1BT9-04-06	G1/4"X19	R3/8"X19	25	30	17		
1BT9-04-08	G1/4"X19	R1/2"X14	30	34	22		
1BT9-06	G3/8"X19	R3/8"X19	27.5	30	17		
1BT9-06-04	G3/8"X19	R1/4"X19	27.5	28	17		
1BT9-06-08	G3/8"X19	R1/2"X14	31	34.5	22		
1BT9-08	G1/2"X14	R1/2"X14	34.5	34.5	22		
1BT9-08-04	G1/2"X14	R1/4"X19	34.5	30.5	22		
1BT9-08-06	G1/2"X14	R3/8"X19	34.5	32.5	22		
1BT9-08-12	G1/2"X14	R3/4"X14	37.5	40	27		
1BT9-10-08	G5/8"X14	R1/2"X14	34.5	34.5	22		
1BT9-10-12	G5/8"X14	R3/4"X14	39	40	27		
1BT9-12	G3/4"X14	R3/4"X14	40	40	27		
1BT9-12-08	G3/4"X14	R1/2"X14	40	39	27		
1BT9-12-16	G3/4"X14	R1"X11	43.5	47	33		
1BT9-12-20	G3/4"X14	R1.1/4"X11	47	53	38		
1BT9-16	G1"X11	R1"X11	46	47	33		
1BT9-16-12	G1"X11	R3/4"X14	46	47	33		
1BT9-16-20	G1"X11	R1.1/4"X11	50.5	53	38		
1BT9-20	G1.1/4"X11	R1.1/4"X11	52	53	38		
1BT9-20-12	G1.1/4"X11	R3/4"X14	50.5	53	38		
1BT9-20-16	G1.1/4"X11	R1"X11	52	53	38		
1BT9-20-24	G1.1/4"X11	R1.1/2"X11	54.5	62	47		
1BT9-24	G1.1/2"X11	R1.1/2"X11	57.5	62	47		
1BT9-24-20	G1.1/2"X11	R1.1/4"X11	57.5	61	47		



1BT-L-SP

英管外螺纹60° 内锥/加长英锥管外螺纹
BSP MALE 60° SEAT / LONG BSPT MALE

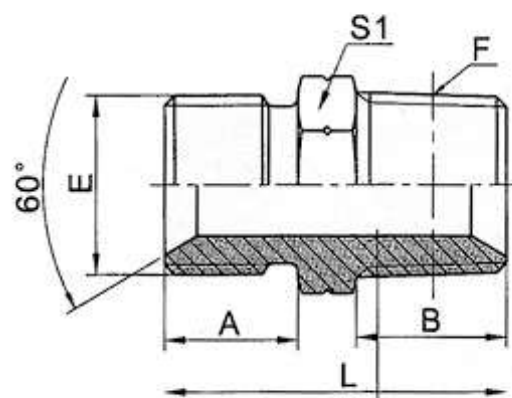
代号 PATE NO.	螺纹 THREAD		尺寸 DIMENSIONS				
	E	F	A	B	S1	L	
1BT-04L	G1/4"X19	R1/4"X19	12	14	14	70	
1BT-06L	G3/8"X19	R3/8"X19	13.5	15	17	75	
1BT-08L	G1/2"X14	R1/2"X14	16	18	22	90	
1BT-12L	G3/4"X11	R3/4"X14	18.5	20	27	110	
1BT-16L	G1"X11	R1"X11	20.5	24	36	130	
1BT-20L	G1.1/4"X11	R1.1/4"X11	20.5	25	46	140	
1BT-24L	G1.1/2"X11	R1.1/2"X11	23	26.5	50	160	



1BT9-L

90° 弯英管外螺纹60° 内锥/加长英锥管外螺纹
90° ELBOW BSP MALE 60° SEAT / LONG BSPT MALE

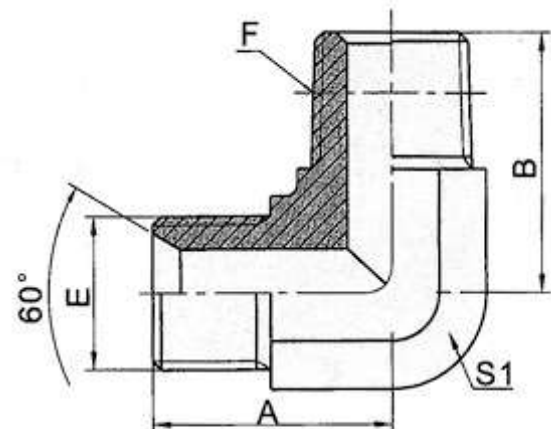
代号 PATE NO.	螺纹 THREAD		尺寸 DIMENSIONS			
	E	F	A	B	S1	
1BT9-04L	G1/4"X19	R1/4"X19	24.5	52.6	14	
1BT9-06L	G3/8"X19	R3/8"X19	27.5	61.5	17	
1BT9-08L	G1/2"X14	R1/2"X14	34.5	72.9	22	
1BT9-12L	G3/4"X11	R3/4"X14	40	83.3	27	
1BT9-16L	G1"X11	R1"X11	46	102.9	33	
1BT9-20L	G1.1/4"X11	R1.1/4"X11	52	127	41	
1BT9-24L	G1.1/2"X11	R1.1/2"X11	57.5	141	48	



1BN

英管外螺纹60° 内锥 / 美制布锥管外螺纹
BSP MALE DOUBLE USE FOR 60° SEAT / NPT MALE

代号 PART NO.	螺 纹 THREAD		尺 寸 DIMENSIONS			
	E	F	A	B	L	S1
1BN-04	G1/4"X19	Z1/4"X18	12	15	33	14
1BN-04-06	G1/4"X19	Z3/8"X18	12	16	34	17
1BN-06	G3/8"X19	Z3/8"X18	13.5	16	36	17
1BN-06-04	G3/8"X19	Z1/4"X18	13.5	15	36	17
1BN-08	G1/2"X14	Z1/2"X14	16	19.5	44	22
1BN-08-06	G1/2"X14	Z3/8"X18	16	16	40	22
1BN-10-08	G5/8"X14	Z1/2"X14	17.5	19.5	45	24
1BN-12	G3/4"X14	Z3/4"X14	18.5	19.5	48	27
1BN-12-08	G3/4"X14	Z1/2"X14	18.5	19.5	48	27
1BN-12-16	G3/4"X14	Z1"X11.5	18.5	25.5	54	36
1BN-16	G1"X11	Z1"X11.5	20.5	25.5	56	36
1BN-16-12	G1"X11	Z3/4"X14	20.5	19.5	50	36
1BN-16-20	G1"X11	Z1.1/4"X11.5	20.5	26.5	60	46
1BN-20	G1.1/4"X11	Z1.1/4"X11.5	20.5	26.5	60	46
1BN-20-16	G1.1/4"X11	Z1"X11.5	20.5	25.5	60	46
1BN-24	G1.1/2"X11	Z1.1/2"X11.5	23	27.5	65	50
1BN-24-20	G1.1/2"X11	Z1.1/4"X11.5	23	26.5	65	50



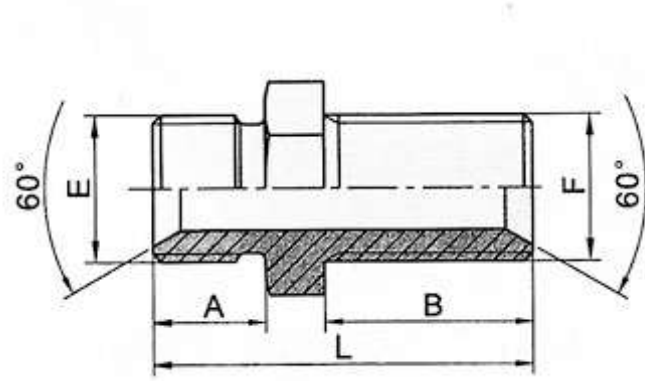
1BN9

90° 弯英管外螺纹60° 内锥 / 美制布锥管外螺纹
90° ELBOW BSP MALE 60° SEAT / NPT MALE

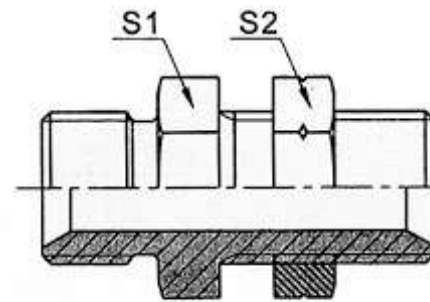
代号 PART NO.	螺 纹 THREAD		尺 寸 DIMENSIONS		
	E	F	A	B	S1
1BN9-04	G1/4"X19	Z1/4"X18	24.5	25	14
1BN9-06	G3/8"X19	Z3/8"X18	27.5	28	17
1BN9-06-04	G3/8"X19	Z1/4"X18	27.5	28	17
1BN9-08	G1/2"X14	Z1/2"X14	34.5	34.5	22
1BN9-08-06	G1/2"X14	Z3/8"X18	34.5	33	22
1BN9-12	G3/4"X14	Z3/4"X14	38	40	27
1BN9-12-08	G3/4"X14	Z1/2"X14	39	40	27
1BN9-12-16	G3/4"X14	Z1"X11.5	43	47	33
1BN9-16	G1"X11	Z"X11.5	46	47	33
1BN9-16-12	G1"X11	Z3/4"X14	46	47	33



英制螺纹 60° 锥面密封接头 BSP 60° THREAD FITTINGS



6B



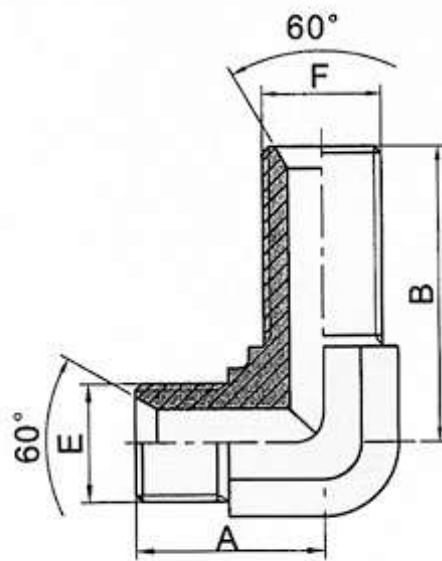
6B-LN

英管外螺纹60° 内锥过板接头
BSP MALE 60° SEAT BULKHEAD

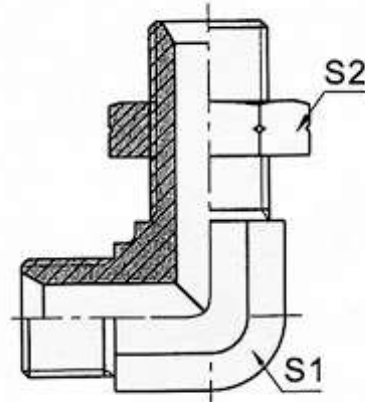
代号 PART NO.	螺 纹 THREAD		尺 寸 DIMENSIONS				
	E	F	A	B	L	S1	S2
6B-04	G1/4"X19	G1/4"X19	12	35	53	19	19
6B-06	G3/8"X19	G3/8"X19	13.5	35	56.5	22	22
6B-08	G1/2"X14	G1/2"X14	16	39	65	27	27
6B-10	G5/8"X14	G5/8"X14	17.5	40	67.5	30	30
6B-12	G3/4"X14	G3/4"X14	18.5	42	71.5	32	32
6B-16	G1"X11	G1"X11	20.5	50	84	41	41
6B-20	G1.1/4"X11	G1.1/4"X11	20.5	52	89.5	50	50
6B-24	G1.1/2"X11	G1.1/2"X11	23	55	93	55	55

注：如需带锁母整套订货，则请在代号后加"LN"，如6B-16LN，锁母代号为8B。

Note: In case if you are interested to order the adapter in complete set with lock nut, it is necessary to insert suffix "LN" after our part NO., for example 6B-16LN, The lock nut NO. is 8B.



6B9



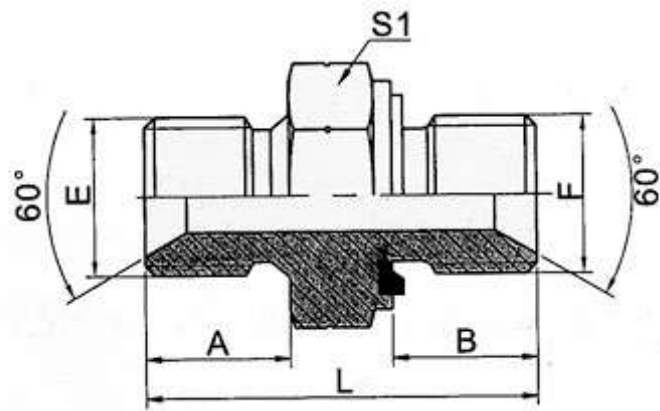
6B9-LN

90° 弯英管外螺纹60° 内锥过板接头
90° ELBOW BSP MALE 60° SEAT BULKHEAD

代号 PART NO.	螺 纹 THREAD		尺 寸 DIMENSIONS				
	E	F	A	B	S1	S2	
6B9-04	G1/4"X19	G1/4"X19	25	51	14	19	
6B9-06	G3/8"X19	G3/8"X19	29	53.5	17	22	
6B9-08	G1/2"X14	G1/2"X14	34.5	58.5	22	22	
6B9-12	G3/4"X14	G3/4"X14	41	64	27	32	
6B9-16	G1"X11	G1"X11	47.5	71	33	41	

注：如需带锁母整套订货，则请在代号后加"LN"，如6B9-16LN，锁母代号为8B。

Note: In case if you are interested to order the adapter in complete set with lock nut, it is necessary to insert suffix "LN" after our part NO., for example 6B9-16LN, The lock nut NO. is 8B.

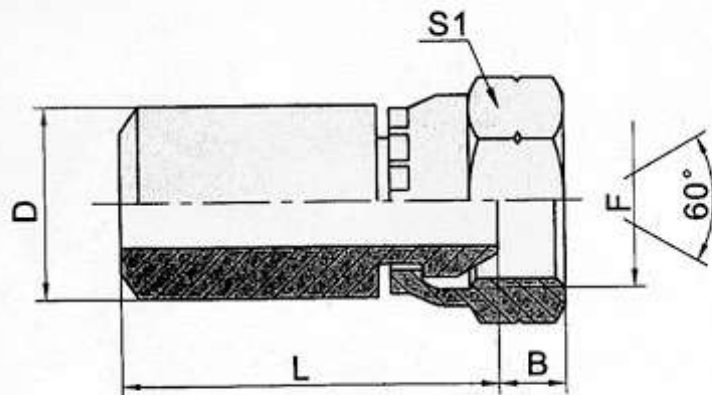


1B-WD

英管外螺纹60° 内锥或六角端面用组合垫
密封/英管外螺纹胶垫密封

BSP MALE DOUBLE USE FOR 60° SEAT
OR BONDED SEAL / BSP MALE CAPTIVE SEAL

代号 PART NO.	螺纹 THREAD		胶垫 CAPTIVE		尺寸 DIMENSIONS			
	E	F		F端	A	B	L	S1
1B-04WD	G1/4"X19	G1/4"X19		WD-B04	12	12	32	19
1B-04-06WD	G3/8"X19	G3/8"X19		WD-B06	12	12	34.5	22
1B-04-08WD	G3/8"X14	G1/2"X19		WD-B08	12	14	39	27
1B-06WD	G3/8"X19	G3/8"X19		WD-B06	13.5	12	34	22
1B-06-08WD	G3/8"X19	G1/2"X14		WD-B08	13.5	14	40.5	27
1B-08WD	G1/2"X14	G1/2"X14		WD-B08	16	14	43	27
1B-08-12WD	G1/2"X14	G3/4"X14		WD-B12	16	16	46	32
1B-12WD	G3/4"X14	G3/4"X14		WD-B12	18.5	16	48	32
1B-12-16WD	G3/4"X14	G1"X11		WD-B16	18.5	18	52	41
1B-16WD	G1"X11	G1"X11		WD-B16	20.5	18	54	41
1B-16-20WD	G1"X11	G1 1/4"X11		WD-B20	20.5	20	58	50
1B-20WD	G1 1/4"X11	G1 1/4"X11		WD-B20	20.5	20	58	50

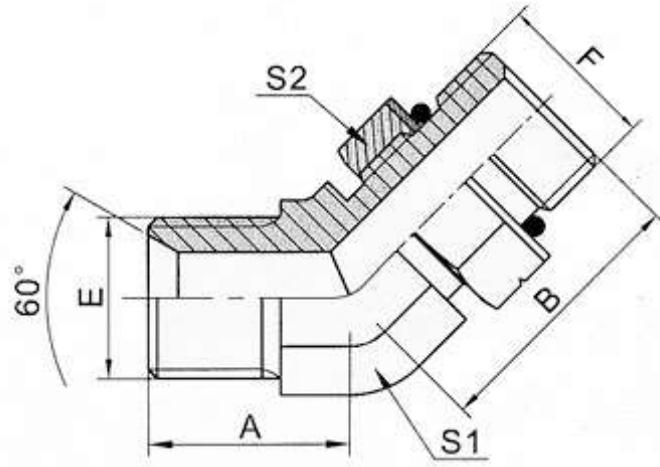


2WB

焊接管/英管内螺纹60° 外锥

BUTT-WELD TUBE/BSP FEMALE 60° CONE

代号 PART NO.	螺纹 THREAD		管子直径	尺寸 DIMENSIONS			
	F		TUBE O. D.	B	D	L	S1
2WB-10-04	G1/4"X19		10	5.5	10	35	19
2WB-14-06	G3/8"X19		14	6.3	14	40	22
2WB-18-08	G1/2"X14		18	7.5	18	50	27
2WB-22-08	G1/2"X14		22	7.5	22	50	27
2WB-22-12	G3/4"X14		22	10.9	22	62	32
2WB-28-16	G1"X11		28	11.7	28	65	41
2WB-34-20	G1 1/4"X11		34	11	34	68	50
2WB-42-20	G1 1/4"X11		42	11	42	59.5	50
2WB-50-24	G1 1/2"X11		50	13	50	57.5	55

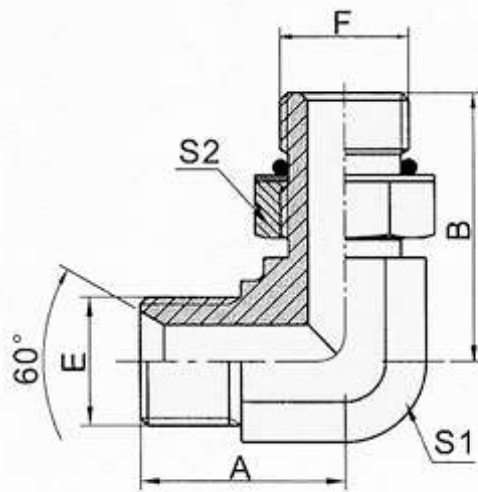


1BG4-OG

45° 弯英管外螺纹60° 内锥/英管外螺纹O形圈可调向柱端
45° ELBOW BSP MALE 60° SEAT / BSP MALE
O-RING ADJUSTABLE STUD END

代号 PART NO.	螺纹 THREAD		O形圈 O-RING		尺寸 DIMENSIONS				
	E	F		F 端	A	B	S1	S2	
1BG4-04OG	G1/4"X19	G1/4"X19		O111	22	28	14	19	
1BG4-04-06OG	G1/4"X19	G3/8"X19		O113	21	30	17	22	
1BG4-04-08OG	G1/4"X19	G1/2"X14		O115	22.5	36	22	27	
1BG4-06OG	G3/8"X19	G3/8"X19		O113	21	30	17	22	
1BG4-06-08OG	G3/8"X19	G1/2"X14		O115	23.5	36	22	27	
1BG4-08OG	G1/2"X14	G1/2"X14		O115	27	36	22	27	
1BG4-12OG	G3/4"X14	G3/4"X14		O119	32	42	27	32	
1BG4-12-16OG	G3/4"X14	G1"X11		O217	32.5	44	33	41	
1BG4-16OG	G1"X11	G1"X11		O217	34	44	33	41	
1BG4-20OG	G1.1/4"X11	G1.1/4"X11		O222	38.5	47.5	41	50	
1BG4-24OG	G1.1/2"X11	G1.1/2"X11		O224	44	51.5	48	55	

注: F端与 DIN 3852油口相配。 Note: F end is connected with DIN 3852 port.

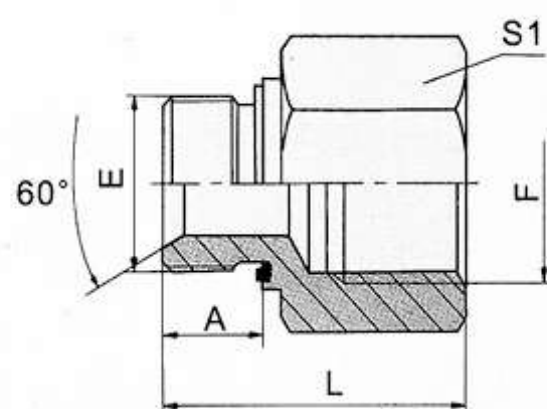


1BG9-OG

90° 弯英管外螺纹60° 内锥/英管外螺纹O形圈可调向柱端
90° ELBOW BSP MALE 60° SEAT / BSP MALE
O-RING ADJUSTABLE STUD END

代号 PART NO.	螺纹 THREAD		O形圈 O-RING		尺寸 DIMENSIONS				
	E	F		F 端	A	B	S1	S2	
1BG9-04OG	G1/4"X19	G1/4"X19		O111	25	31.5	14	19	
1BG9-04-06OG	G1/4"X19	G3/8"X19		O113	26.5	36.8	17	22	
1BG9-06OG	G3/8"X19	G3/8"X19		O113	28	36.8	17	22	
1BG9-06-08OG	G3/8"X19	G1/2"X14		O115	31	43.2	22	27	
1BG9-08OG	G1/2"X14	G1/2"X14		O115	34.5	43.2	22	27	
1BG9-06-12OG	G1/2"X14	G3/4"X14		O119	40	49.3	27	32	
1BG9-12OG	G3/4"X14	G3/4"X14		O119	40	49.3	27	32	
1BG9-12-16OG	G3/4"X14	G1"X11		O217	45	53	33	41	
1BG9-16OG	G1"X11	G1"X11		O217	46	53	33	41	
1BG9-20-16OG	G1.1/4"X11	G1"X11		O217	50.5	58	41	41	
1BG9-20OG	G1.1/4"X11	G1.1/4"X11		O222	51.5	58	41	50	
1BG9-24OG	G1.1/2"X11	G1.1/2"X11		O224	58.5	63	48	55	

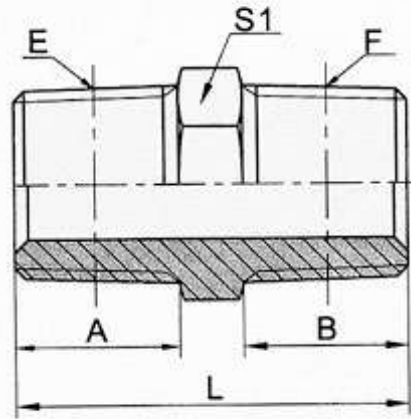
注: F端与 DIN 3852油口相配。 Note: F end is connected with DIN 3852 port.



5B-WD

英管外螺纹胶垫密封/英管内螺纹 ISO 1179
BSP MALE CAPTIVE SEAL / BSP FEMALE ISO 1179

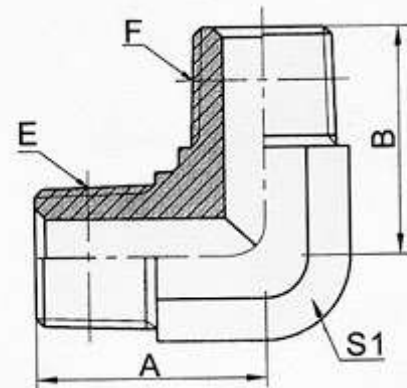
代号 PART NO.	螺纹 THREAD		胶垫 CAPTIVE		尺寸 DIMENSIONS			
	E	F	E 端		A	L	S1	
5B-02-04WD	G1/8"X28	G1/4"X19	WD-B02		8	30	19	
5B-02-06WD	G1/8"X28	G3/8"X19	WD-B02		8	34	22	
5B-04-02WD	G1/4"X19	G1/8"X28	WD-B04		12	32	19	
5B-04-06WD	G1/4"X19	G3/8"X19	WD-B04		12	37	22	
5B-04-08WD	G1/4"X19	G1/2"X14	WD-B04		12	43	27	
5B-06-02WD	G3/8"X19	G1/8"X28	WD-B06		12	36	22	
5B-06-04WD	G3/8"X19	G1/4"X19	WD-B06		12	38	22	
5B-06-08WD	G3/8"X19	G1/2"X14	WD-B06		12	44	27	
5B-08-04WD	G1/2"X14	G1/4"X19	WD-B08		14	38	27	
5B-08-06WD	G1/2"X14	G3/8"X19	WD-B08		14	41	27	
5B-08-12WD	G1/2"X14	G3/4"X14	WD-B08		14	46	36	
5B-12-08WD	G3/4"X14	G1/2"X14	WD-B12		16	48	32	
5B-12-16WD	G3/4"X14	G1"X11	WD-B12		16	53	41	
5B-12-20WD	G3/4"X14	G1.1/4"X11	WD-B12		16	54	50	
5B-16-12WD	G1"X11	G3/4"X14	WD-B16		18	50	41	
5B-16-20WD	G1"X11	G1.1/4"X11	WD-B16		18	56	50	
5B-20-16WD	G1.1/4"X11	G1"X11	WD-B20		20	58	50	
5B-20-24WD	G1.1/4"X11	G1.1/2"X11	WD-B20		20	60	55	
5B-20-32WD	G1.1/4"X11	G2"X11	WD-B20		20	64	70	
5B-24-16WD	G1.1/2"X11	G1"X11	WD-B24		22	60	55	
5B-24-20WD	G1.1/2"X11	G1.1/4"X11	WD-B24		22	60	55	
5B-24-32WD	G1.1/2"X11	G2"X11	WD-B24		22	66	70	



1T-SP

英锥管外螺纹
BSPT MALE

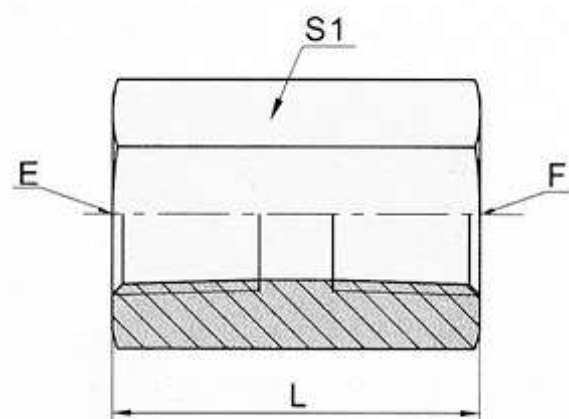
代号 PART NO.	螺纹 THREAD		尺寸 DIMENSIONS			
	E	F	A	B	L	S1
1T-02	R1/8"X28	R1/8"X28	10	10	26	12
1T-02-04	R1/8"X28	R1/4"X19	10	14	30	14
1T-04	R1/4"X19	R1/4"X19	14	14	34	14
1T-04-06	R1/4"X19	R3/8"X19	14	15	35	17
1T-06	R3/8"X19	R3/8"X19	15	15	36	17
1T-06-08	R3/8"X19	R1/2"X14	15	18	41	22
1T-08	R1/2"X14	R1/2"X14	18	18	44	22
1T-08-12	R1/2"X14	R3/4"X14	18	20	46	27
1T-12	R3/4"X14	R3/4"X14	20	20	48	27
1T-12-16	R3/4"X14	R1"X11	20	24	54	36
1T-16	R1"X11	R1"X11	24	24	58	36
1T-16-20	R1"X11	R1.1/4"X11	24	25	61	46
1T-20	R1.1/4"X11	R1.1/4"X11	25	25	62	46
1T-20-24	R1.1/4"X11	R1.1/2"X11	25	26.5	66	50
1T-24	R1.1/2"X11	R1.1/2"X11	26.5	26.5	67	50
1T-24-32	R1.1/2"X11	R2"X11	26.5	30	71.5	65
1T-32	R2"X11	R2"X11	30	30	75	65



1T9-SP

90° 弯英锥管外螺纹
90° ELBOW BSPTMALE

代号 PART NO.	螺纹 THREAD		尺寸 DIMENSIONS		
	E	F	A	B	S1
1T9-02	R1/8"X28	R1/8"X28	21	21	11
1T9-04	R1/4"X19	R1/4"X19	25	25	14
1T9-06	R3/8"X19	R3/8"X19	28	28	17
1T9-08	R1/2"X14	R1/2"X14	34.5	34.5	22
1T9-12	R3/4"X14	R3/4"X14	40	40	27
1T9-16	R1"X11	R1"X11	47	47	33
1T9-20	R1.1/4"X11	R1.1/4"X11	53	53	38
1T9-24	R1.1/2"X11	R1.1/2"X11	62	62	47
1T9-32	R2"X11	R2"X11	67	67	56

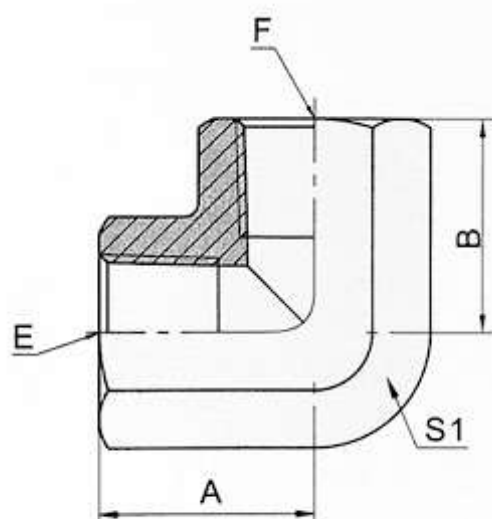


7T

英锥管内螺纹

BSPT FEMALE

代号 PART NO.	螺纹 THREAD		尺寸 DIMENSIONS			
	E	F	L	S1		
7T-02	Rc1/8"X28	Rc1/8"X28	20	14		
7T-04	Rc1/4"X19	Rc1/4"X19	30	19		
7T-06	Rc3/8"X19	Rc3/8"X19	30	22		
7T-08	Rc1/2"X14	Rc1/2"X14	40	27		
7T-12	Rc3/4"X14	Rc3/4"X14	42	36		
7T-16	Rc1"X11	Rc1"X11	50	41		
7T-20	Rc1.1/4"X11	Rc1.1/4"X11	55	50		
7T-24	Rc1.1/2"X11	Rc1.1/2"X11	55	55		
7T-32	Rc2"X11	Rc2"X11	65	70		

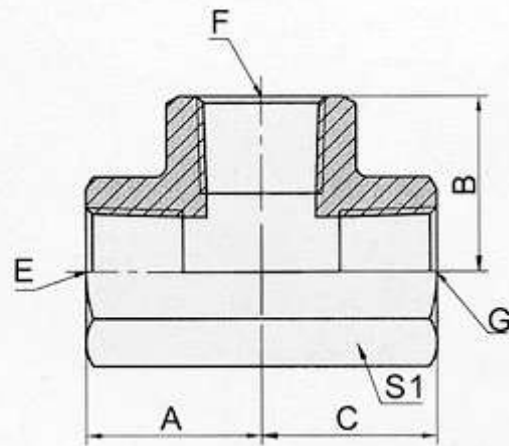


7T9-PK

90° 弯英锥管内螺纹

90° ELBOW BSPT FEMALE

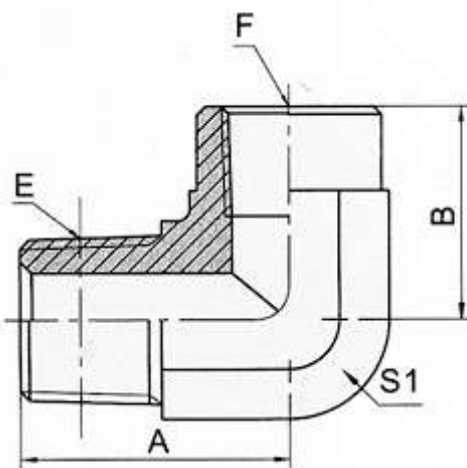
代号 PART NO.	螺纹 THREAD		尺寸 DIMENSIONS			
	E	F	A	B	S1	
7T9-02	Rc1/8"X28	Rc1/8"X28	16	16	14	
7T9-04	Rc1/4"X19	Rc1/4"X19	20.5	20.5	17	
7T9-06	Rc3/8"X19	Rc3/8"X19	23.5	23.5	22	
7T9-08	Rc1/2"X14	Rc1/2"X14	29	29	27	
7T9-12	Rc3/4"X14	Rc3/4"X14	33	33	33	
7T9-16	Rc1"X11	Rc1"X11	40	40	41	
7T9-20	Rc1.1/4"X11	Rc1.1/4"X11	50	50	50	
7T9-24	Rc1.1/2"X11	Rc1.1/2"X11	51	51	60	
7T9-32	Rc2"X11	Rc2"X11	62	62	73	



GT-PK

英锥管内螺纹三通
BSPT FEMALE TEE

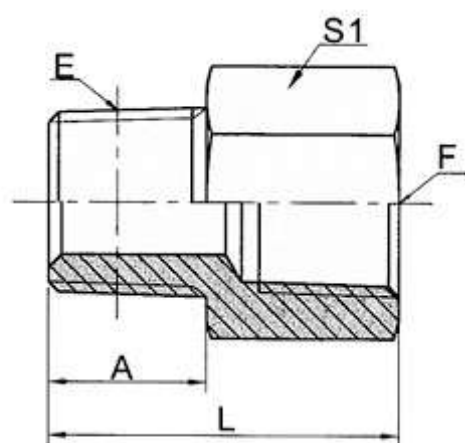
代号 PART NO.	螺 纹 THREAD			尺 寸 DIMENSIONS				
	E	F	G	A	B	C	S1	
GT-02	Rc1/8"X28	Rc1/8"X28	Rc1/8"X28	16	16	16	14	
GT-04	Rc1/4"X19	Rc1/4"X19	Rc1/4"X19	20.5	20.5	20.5	17	
GT-06	Rc3/8"X19	Rc3/8"X19	Rc3/8"X19	23.5	23.5	23.5	22	
GT-08	Rc1/2"X14	Rc1/2"X14	Rc1/2"X14	29	29	29	27	
GT-12	Rc3/4"X14	Rc3/4"X14	Rc3/4"X14	33	33	33	33	
GT-16	Rc1"X11	Rc1"X11	Rc1"X11	40	40	40	41	
GT-20	Rc1.1/4"X11	Rc1.1/4"X11	Rc1.1/4"X11	50	50	50	50	
GT-24	Rc1.1/2"X11	Rc1.1/2"X11	Rc1.1/2"X11	51	51	54	60	
GT-32	Rc2"X11	Rc2"X11	Rc2"X11	62	62	62	73	



5T9-SP

90° 弯英锥管外螺纹/英锥管内螺纹
90° ELBOW BSPT MALE/BSPT FEMALE

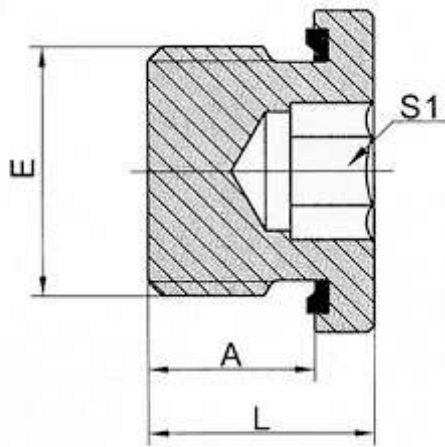
代号 PART NO.	螺 纹 THREAD		尺 寸 DIMENSIONS		
	E	F	A	B	S
5T9-02	R1/8"X28	Rc1/8"X28	24.5	23	14
5T9-04	R1/4"X19	Rc1/4"X19	28	25	17
5T9-06	R3/8"X19	Rc3/8"X19	33.5	25	22
5T9-08	R1/2"X14	Rc1/2"X14	40.5	31.5	27
5T9-12	R3/4"X14	Rc3/4"X14	47	37	33
5T9-16	R1"X11	Rc1"X11	53	43	38
5T9-20	R1.1/4"X11	Rc1.1/4"X11	61	50	47
5T9-24	R1.1/2"X11	Rc1.1/2"X11	70	55	56



5T-SP

英锥管外螺纹/英锥管内螺纹
BSPT MALE/BSPT FEMALE

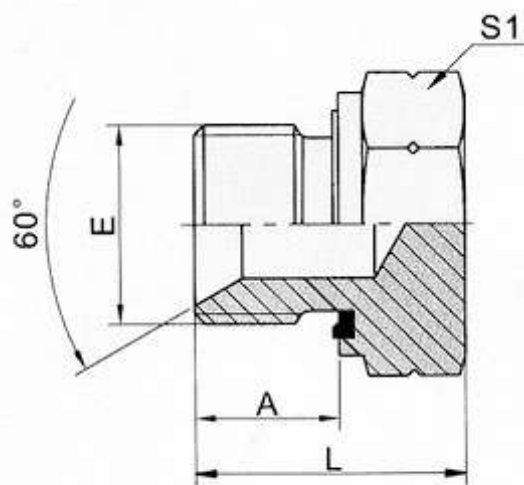
代号 PART NO.	螺 纹 THREAD		尺 寸 DIMENSIONS					
	E	F	A	L	S1			
5T-02-04	R1/8"X28	Rc1/4"X19	10	30	19			
5T-04-02	R1/4"X19	Rc1/8"X28	14	22	14			
5T-04	R1/4"X19	Rc1/4"X19	14	34	19			
5T-04-06	R1/4"X19	Rc3/8"X19	14	35	22			
5T-06-02	R3/8"X19	Rc1/8"X28	15	22	19			
5T-06-04	R3/8"X19	Rc1/4"X19	15	22	19			
5T-06	R3/8"X19	Rc3/8"X19	15	38	22			
5T-06-08	R3/8"X19	Rc1/2"X14	15	36	27			
5T-08-04	R1/2"X14	Rc1/4"X19	18	28	22			
5T-08-06	R1/2"X14	Rc3/8"X19	18	28	22			
5T-08	R1/2"X14	Rc1/2"X14	18	40	27			
5T-08-12	R1/2"X14	Rc3/4"X14	18	48	36			
5T-12-06	R3/4"X14	Rc3/8"X19	20	30	27			
5T-12-08	R3/4"X14	Rc1/2"X14	20	30	27			
5T-12	R3/4"X14	Rc3/4"X14	20	48	36			
5T-12-16	R3/4"X14	Rc1"X11	20	50	41			
5T-16-08	R1"X11	Rc1/2"X14	24	34	36			
5T-16-12	R1"X11	Rc3/4"X14	24	34	36			
5T-16	R1"X11	Rc1"X11	24	52	41			
5T-16-20	R1"X11	Rc1.1/4"X11	24	56	50			
5T-20-12	R1.1/4"X11	Rc3/4"X14	25	38	46			
5T-20-16	R1.1/4"X11	Rc1"X11	25	38	46			
5T-20	R1.1/4"X11	Rc1.1/4"X11	25	60	50			
5T-24-16	R1.1/2"X11	Rc1"X11	26.5	42	50			
5T-24-20	R1.1/2"X11	Rc1.1/4"X11	26.5	42	50			
5T-32-20	R2"X11	Rc1.1/4"X11	30	45	65			
5T-32-24	R2"X11	Rc1.1/2"X11	30	45	65			



4BN-WD

英管外螺纹胶垫密封内六角堵头
BSP MALE CAPTIVE SEAL HOLLOW HEX PLUG

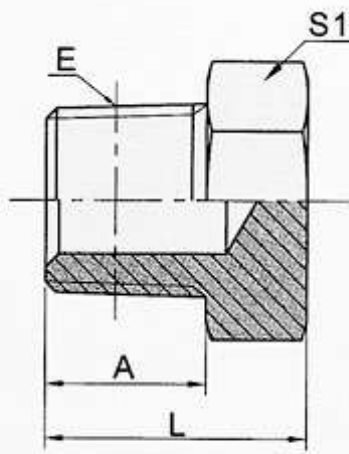
代号 PART NO.	螺纹 THREAD		胶垫 CAPTIVE		尺寸 DIMENSIONS			
	E		E端		A	L	S1	
4BN-02WD	G1/8"X28		WD-B02		8	12.5	5	
4BN-04WD	G1/4"X19		WD-B04		12	17.5	6	
4BN-06WD	G3/8"X19		WD-B06		12	17.5	8	
4BN-08WD	G1/2"X14		WD-B08		14	20	10	
4BN-12WD	G3/4"X14		WD-B12		16	21.5	12	
4BN-16WD	G1"X11		WD-B16		16	23	17	
4BN-20WD	G1.1/4"X11		WD-B20		20	27	22	
4BN-24WD	G1.1/2"X11		WD-B24		22	30	24	



4B-WD

英管外螺纹胶垫密封堵头
BSP MALE CAPTIVE SEAL PLUG

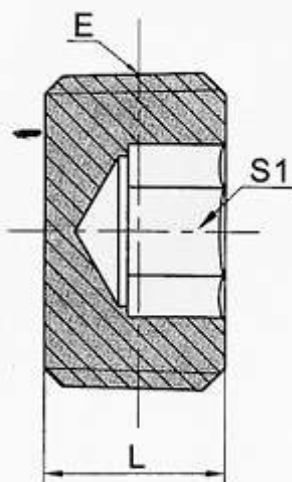
代号 PART NO.	螺纹 THREAD		胶垫 CAPTIVE		尺寸 DIMENSIONS			
	E		E端		A	L	S1	
4B-02WD	G1/8"X28		WD-B02		8	15.5	14	
4B-04WD	G1/4"X19		WD-B04		12	19.6	19	
4B-06WD	G3/8"X19		WD-B06		12	22.5	22	
4B-08WD	G1/2"X14		WD-B08		14	25	27	
4B-12WD	G3/4"X14		WD-B12		16	29	32	
4B-16WD	G1"X11		WD-B16		18	35	41	
4B-20WD	G1.1/4"X11		WD-B20		20	37	50	
4B-24WD	G1.1/2"X11		WD-B24		22	40	55	



4T-SP

英锥管外螺纹堵头
BSPT MALE PLUG

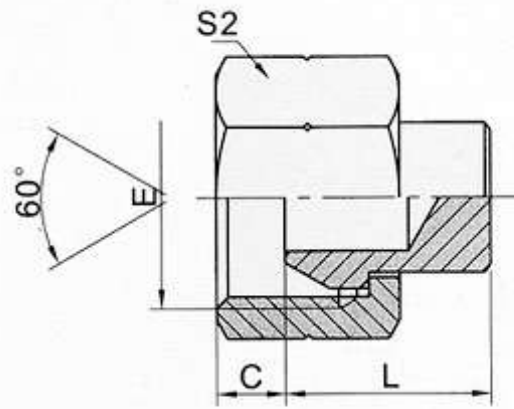
代号 PART NO.	螺纹 THREAD		尺寸 DIMENSIONS			
	E		A	L	S1	
4T-02	R1/8"X28		10	15	12	
4T-04	R1/4"X19		14	20	14	
4T-06	R3/8"X19		15	21	17	
4T-08	R1/2"X14		18	26	22	
4T-12	R3/4"X14		20	28	27	
4T-16	R1"X11		24	35	36	
4T-20	R1.1/4"X11		25	37	46	
4T-24	R1.1/2"X11		26.5	40	50	
4T-32	R2"X11		30	46	65	



4TN-GM

英锥管外螺纹内六角堵头
BSPT MALE HOLLOW HEX PLUG

代号 PART NO.	螺纹 THREAD		尺寸 DIMENSIONS			
	E		L	S1		
4TN-02	R1/8"X28		8	5		
4TN-04	R1/4"X19		10	6		
4TN-06	R3/8"X19		10	8		
4TN-08	R1/2"X14		13	10		
4TN-12	R3/4"X14		14	12		
4TN-16	R1"X11		16	14		
4TN-20	R1.1/4"X11		18	17		
4TN-24	R1/2"X11		20	19		



9B

英管内螺纹60° 外锥堵头
BSP FEMALE 60° CONE PLUG

代号 PART NO.	螺 纹 THREAD				尺 寸 DIMENSIONS			
	E				C	L	S1	
9B-02	G1/8"X28				5.5	11.5	14	
9B-04	G1/4"X19				5.5	13.5	19	
9B-06	G3/8"X19				6.3	14.5	22	
9B-08	G1/2"X14				7.5	16	27	
9B-10	G5/8"X14				9.5	16.5	30	
9B-12	G3/4"X14				10.9	17.5	32	
9B-16	G1"X11				11.7	19	41	
9B-20	G1.1/4"X11				11	21.5	50	
9B-24	G1.1/2"X11				13	22	55	